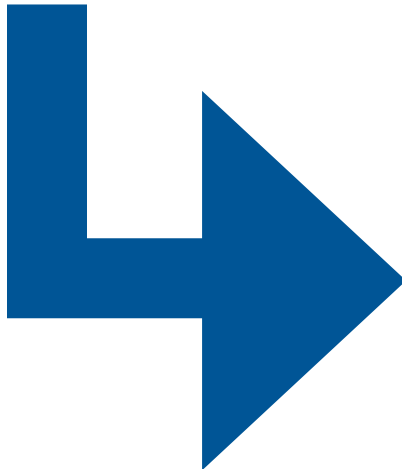




**Upgrade**  
an Existing TPR®  
to the **NEW UniLock®**



## **Increase Productivity**

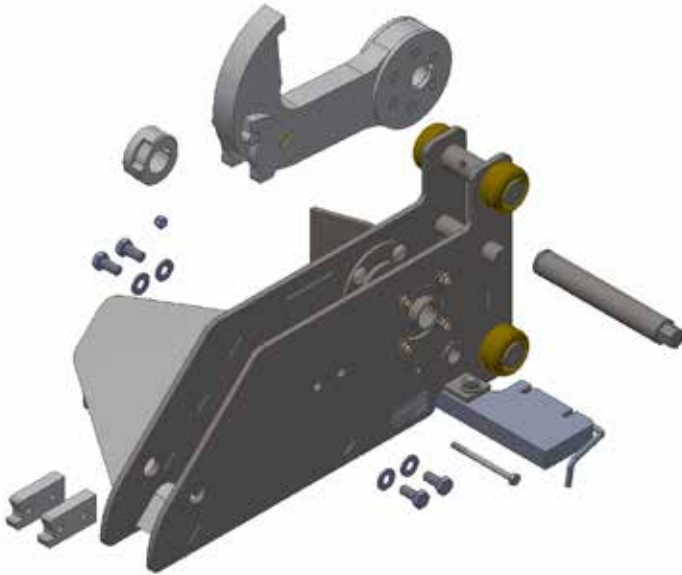
Don't waste time reversing trucks to release "RIG Wedge" pressure. Upgrade a TPR to the UniLock and have an advanced cam design that automatically releases RIG Wedge. Save time and increase efficiency.

## **Increase Safety**

When servicing trailers with obstructed Rear Impact Guards, such as intermodal trailers with cover plates, upgrade to the UniLock to ensure a secure engagement is always maintained utilizing the new internal safety mechanism that locks the hook in place.

# RETROFIT KITS AVAILABLE BASED ON TPR PURCHASE DATE

## BEFORE SEPTEMBER 2017



### KIT INCLUDES

UniLock Carriage (fully assembled)

UniLock Hook (fully assembled)

Timer Control (control box part)

Timer Socket

## SEPTEMBER 2017 AND AFTER



### KIT INCLUDES

UniLock Hook (partially assembled)

Hardware and Hook Components

Timer Control (control box part)