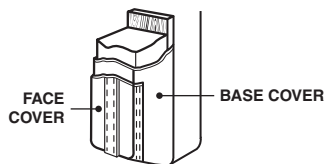
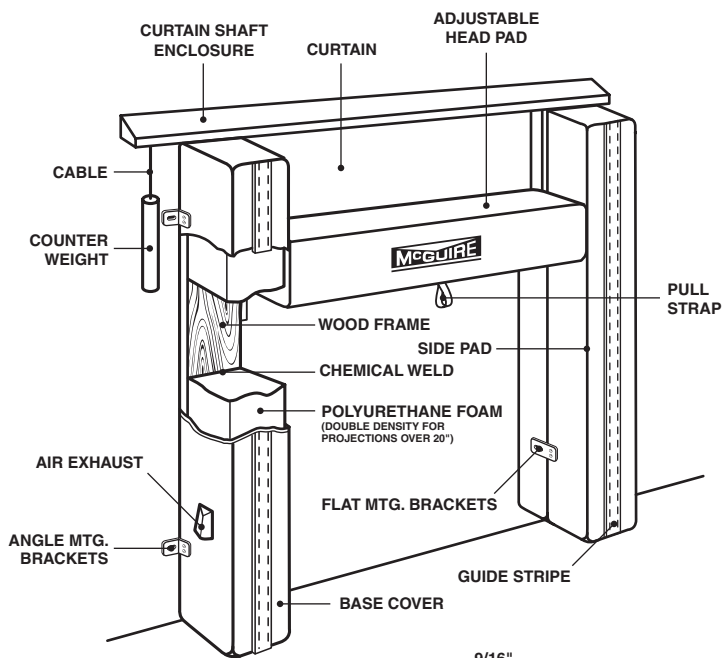
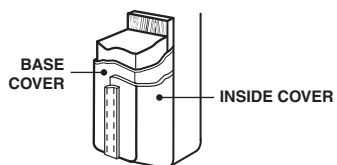


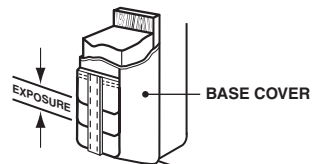
**TS500
ADJUSTABLE HEADER
DOCK SEAL**



REINFORCED FACE

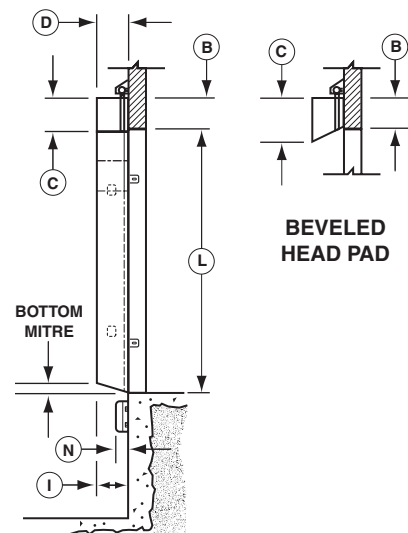
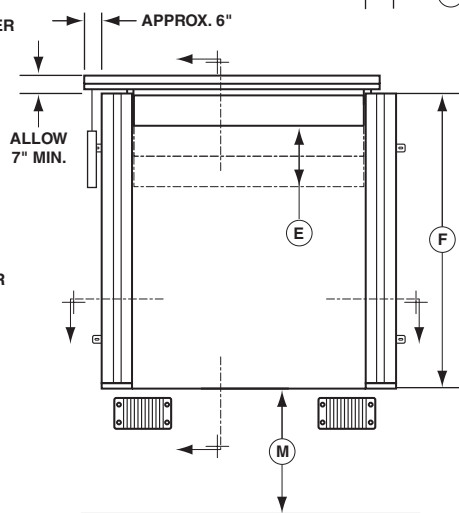
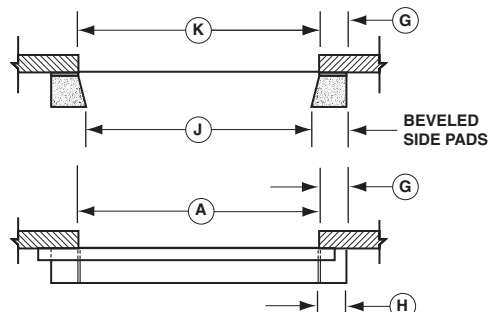


REINFORCED INSIDE

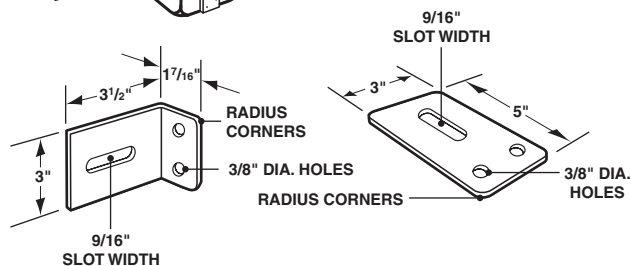


DURAPLEAT® PLEATS

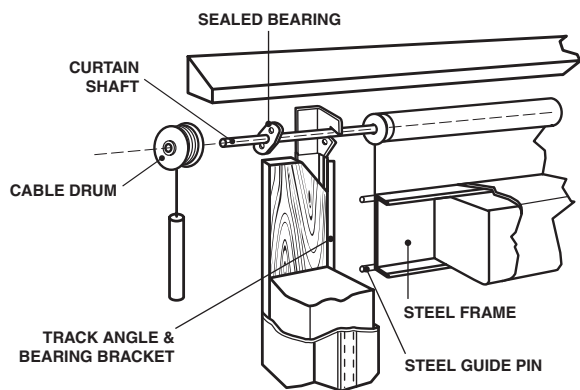
- 4" EXPOSURE
- 8" EXPOSURE
- 16" EXPOSURE



BEVELED HEAD PAD



ANGLE AND FLAT MOUNTING BRACKETS



<p>HEAD PAD DATA</p> <p>___ "A" WIDTH AT REAR ___ "B" HEIGHT AT REAR ___ "C" HEIGHT AT FACE ___ "D" TOTAL PROJECTION ___ BASE FABRIC ___ COLOR</p> <p><input type="checkbox"/> BLOCKOUT (IF REQUIRED) PROJECTION ___ FABRIC ___ COLOR</p> <p><input type="checkbox"/> FACE REINFORCEMENT ___ FABRIC ___ COLOR</p> <p><input type="checkbox"/> UNDERSIDE REINFORCEMENT ___ FABRIC ___ COLOR</p> <p>HEAD PAD VERTICAL ADJUSTMENT "E" <input type="checkbox"/> 18" (STD.) <input type="checkbox"/> 24" <input type="checkbox"/> 30" <input type="checkbox"/> OTHER _____"</p>	<p><input type="checkbox"/> FORMED STEEL BACK <input type="checkbox"/> PAINTED <input type="checkbox"/> GALVANIZED</p> <p>SIDE PAD DATA</p> <p>___ "F" LENGTH AT REAR ___ "G" WIDTH AT REAR ___ "H" WIDTH AT FACE ___ "D" TOTAL PROJ. AT TOP ___ "I" TOTAL PROJ. AT BOTTOM ___ "J" SIDE PAD FACE I.D. ___ BASE FABRIC ___ COLOR</p> <p><input type="checkbox"/> BLOCKOUT (IF REQUIRED) PROJ: ___ TOP ___ BOTTOM ___ FABRIC ___ COLOR</p> <p><input type="checkbox"/> FACE REINFORCEMENT ___ FABRIC ___ COLOR</p> <p><input type="checkbox"/> INSIDE EDGE REINFORCEMENT ___ FABRIC ___ COLOR</p>	<p><input type="checkbox"/> DURAPLEAT® PLEATS ___ FABRIC ___ COLOR ___ "PLEAT EXPOSURE"</p> <p><input type="checkbox"/> FORMED STEEL BACK <input type="checkbox"/> PAINTED <input type="checkbox"/> GALVANIZED</p> <p><input type="checkbox"/> NON-ROT BACK</p> <p>GENERAL INFORMATION</p> <p>___ "K" DOOR WIDTH ___ "L" DOOR HEIGHT ___ "M" DOCK HEIGHT ___ "N" DOCK BUMPER/LEDGE COMBINED PROJECTION</p> <p>DRIVE APPROACH: <input type="checkbox"/> LEVEL <input type="checkbox"/> DECLINED <input type="checkbox"/> INCLINED</p> <p>FB-___ QTY. ___ SHEET ___ OF ___</p>
<p>205 BROADVIEW STREET • P.O. BOX 151 UPPER SANDUSKY, OH 43351 PHONE 1.800.262.1188 FAX 419.294.4980 WWW.WBMCGUIRE.COM</p>		
JOB: _____		
LOCATION: _____		
CONTRACTOR: _____		ARCHITECT: _____
APPROVED BY SIGNATURE: _____		